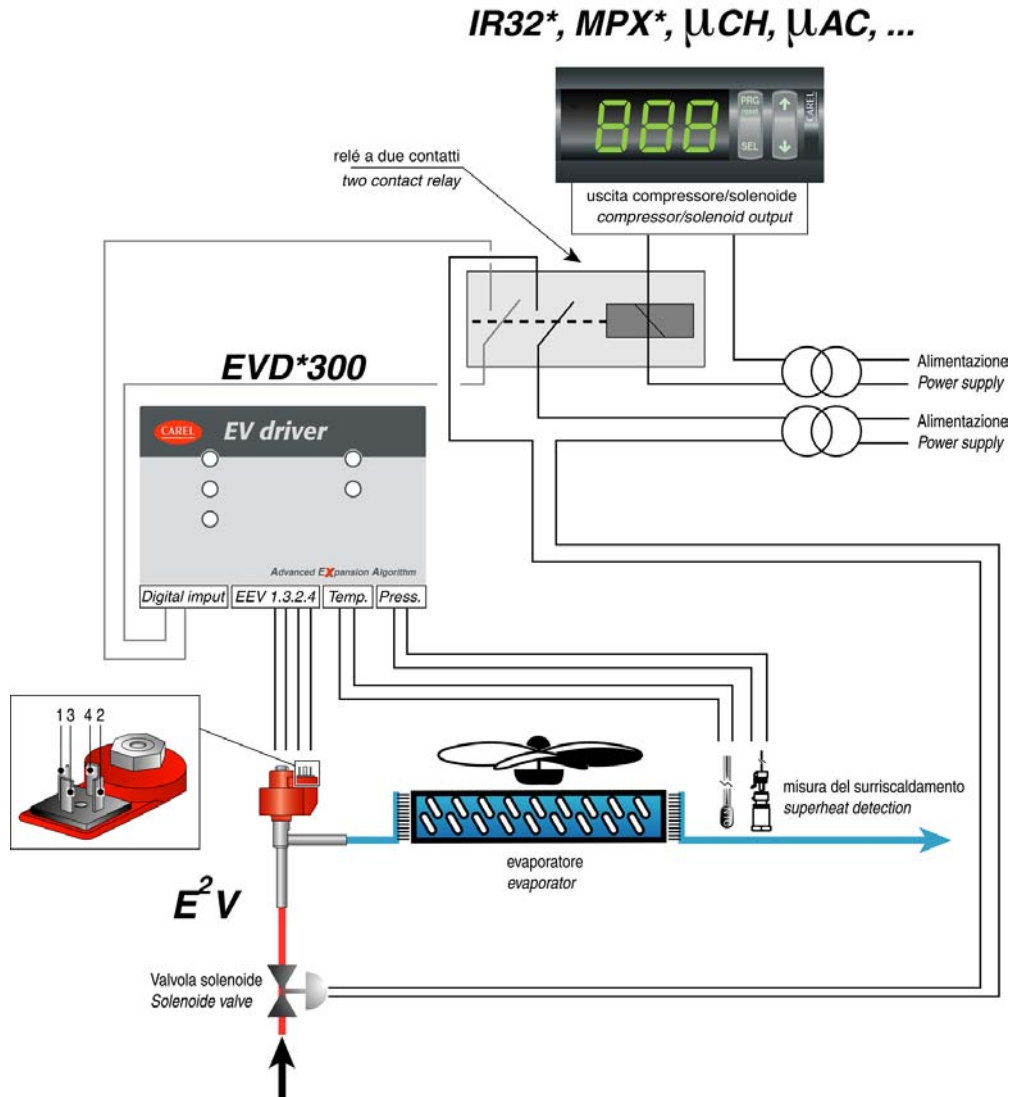


**Using the EVD\*300 to control superheating via a digital input.**

Control function using the EVD\*300 module (via the corresponding digital input) together with a controller fitted with digital output or in which the ON signal is generated by an external disconnecting relay.



### Controller configuration

Set the controller as for normal operation.

If the controller has a free digital output (e.g. IR32W\*), configure this in parallel with the first, to save using an external relay.

### EVD\*300 configuration

Configure the module for superheating control, following the instructions enclosed and the on-line help in the PlantVisor configuration page.

In particular, make the following settings.

- Select the type of electronic valve used from the list.
- Activate control via digital input using the parameter "Stand alone operation".
- Configure the range of the pressure probe using the 2 parameters "4-mA calibration point" for the min. value and "20-mA calibration point" for the max. value.