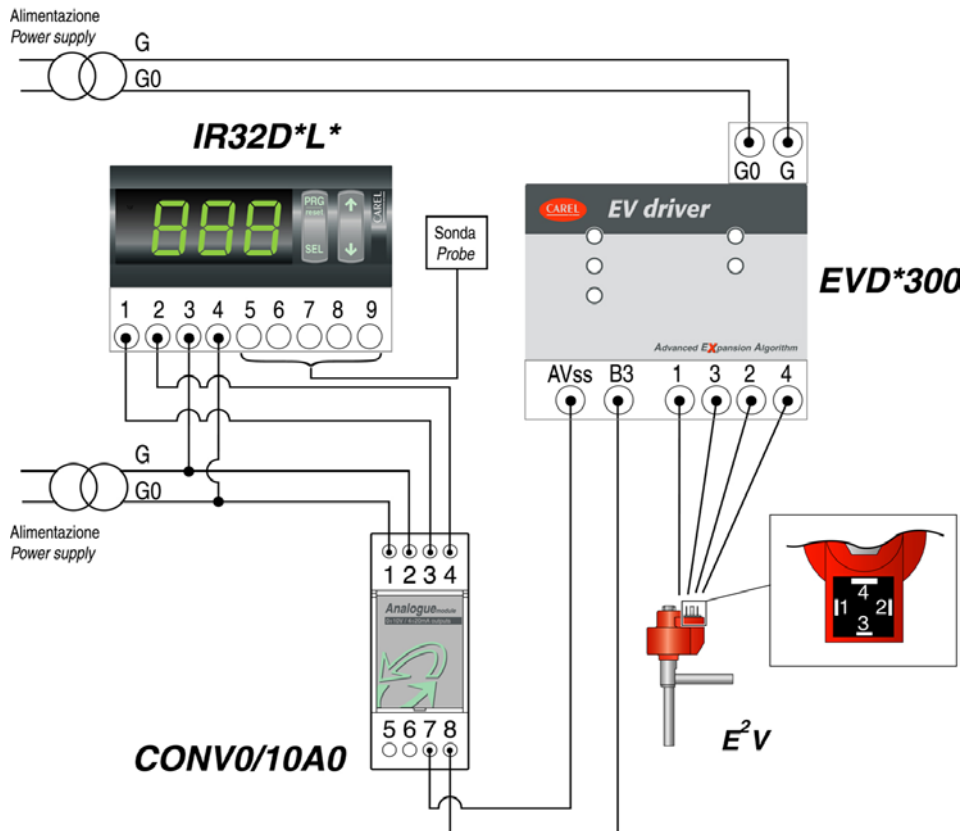


Use the EVD*300 for control with IR32D*L and CONV0/10A0.

Control used for the modulation of a temperature/pressure signal using an electronic bypass valve, either indirectly (e.g. control on air/water temperature) or directly (e.g. condensing/evaporation pressure).



IR32* configuration

Press and hold SEL and PRG
Enter the password

C0=4

Press PRG

Press and hold SEL and PRG
Enter the password

C 5= 1 for activation of integral control

C12= 0.2

NTC IR32D0L* reading

C13= 0 for probe 1

2 for probe 2

Pt100 IR32D1L* reading

C13= 0 for probe 1

2 for probe 2

IR32D2L* thermocouple reading

C13= 0 type K

1 type J

IR32D3L* 4 to 20mA/0 to 20mA reading

C13= 0 for 4 to 20mA

1 for 0 to 20mA

C15= probe value for 4mA or 0mA

C16= probe value for 20mA

Reading 0 to 1V IR32D4L

C15= probe value for 0V

C16= probe value for 1V

C17= 14

C33= 1

C34= 1

C35= 1

Direct operation

C36= 50

C37= -100

Reverse function

C36= -50

C37= 100

St1= Control set point

P1= Differential centred around the set point

EVD*300 configuration

Select the type of electronic valve used.

Activate analogue-type control using the parameter

"Enable 4 to 20mA input EEV position/hg