



FCP

Stand-alone condenser control

FCP is the new CAREL proposal for the stand-alone speed control of single-phase fans, on condensing units with up to two circuits.

Main features and advantages:

- Optimised pressure management, improving the efficiency of the refrigeration installation, with a consequent reduction in energy consumption;
- minimum and maximum speed management, cut-off, speed up, room probe to bring forward the start of the fan, P.I. control;
- designed to operate in stand-alone mode or controlled directly via RS485 serial line with Modbus® RTU / CAREL protocol (optional);
- designed to operate with ratiometric or NTC sensors;
- second set point management;
- distance of the controller from the pressure sensor up to 2 m.

Control is implemented according to the variation in pressure in the water circuit, so as to maintain this stable at the set point.

FCP has been developed for air-conditioning (shelter, air-conditioners) and refrigeration applications, and can be installed directly on the unit, thanks to the case with IP54 index of protection.

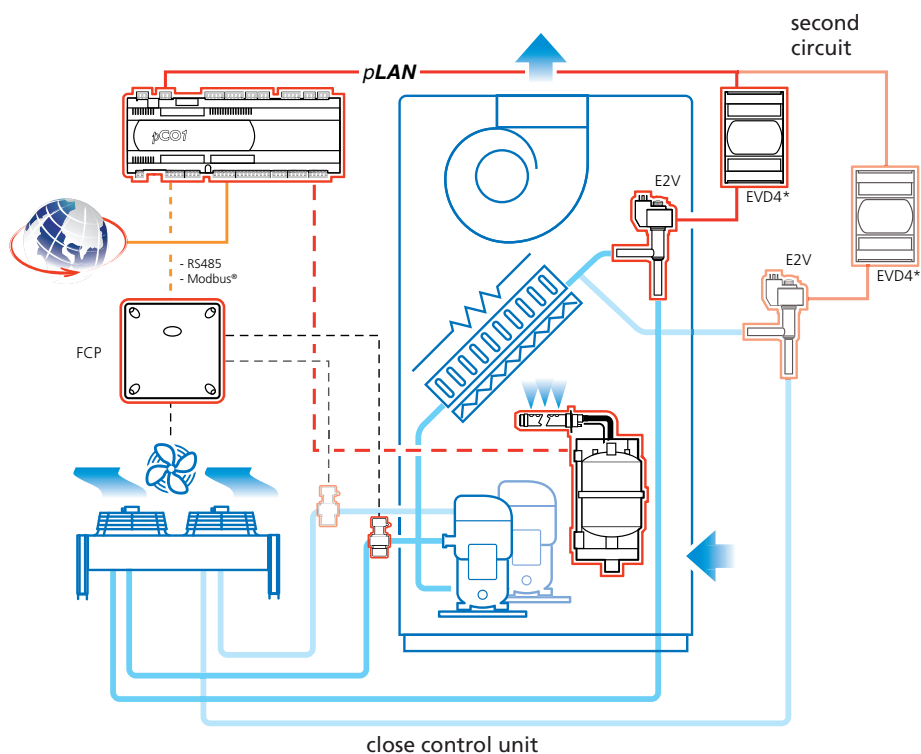
The electronic controller uses the principle of phase control to adjust the voltage to the load for currents of up to 8 A / 230 Vac, according to the control signal from the ratiometric pressure transducer. It can control axial-design asynchronous electric motors (specific for phase control).

The device can be configured manually by adjusting the trimmers for the set point, differential and motor speed, or alternatively managed directly by setting parameters via the programming key or RS485 serial line.

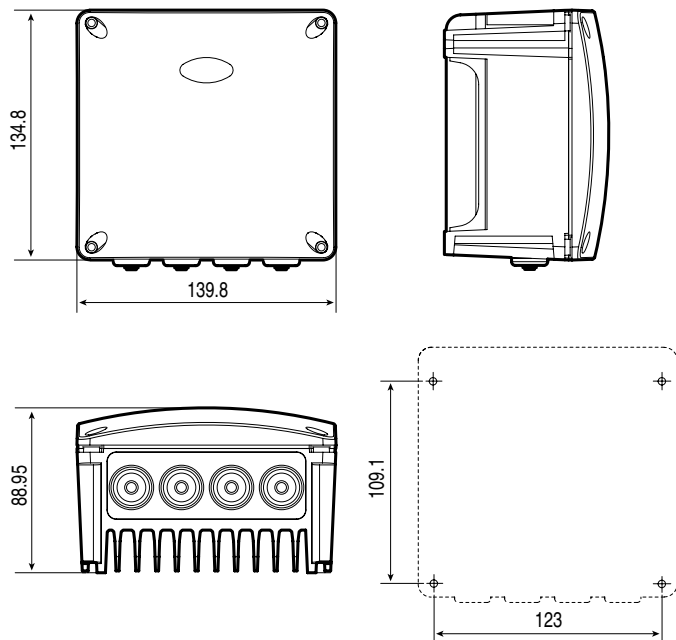
Technical specifications:

Single-phase power supply:	230 V +10 to -15%, 50/60 Hz with autosensing
Maximum operating current:	8 A @ (-20/50°C)
Operating conditions:	-20/50°C, <85% RH (non-condensing)
Storage conditions:	-20/70°C, <85% RH (non-condensing)
Index of protection:	IP54
Analogue inputs:	0 to 5 Vdc ratiometric, 8 mA or NTC
Digital input:	programmable as motor protection or double set point

Main application:



Dimension:



Headquarters

CAREL S.p.A.
Via dell'Industria, 11
35020 Brugine - Padova (Italy)
Tel. (+39) 0499 716611
Fax (+39) 0499 716600
carel@carel.com - www.carel.com

Subsidiaries

CAREL Australia Pty Ltd
www.carel.com.au
sales@carel.com.au

CAREL China Ltd.
www.carelhk.com
sales@carelhk.com

CAREL Deutschland GmbH
www.carel.de
info@carel.de

CAREL Export
www.carel.com
carelexport@carel.com

CAREL France Sas
www.carelfrence.fr
carelfrence@carelfrence.fr

CAREL Italia
www.carel.it
carelitalia@carel.com

CAREL Sud America Ltda.
www.carel.com.br
caresudamerica@carel.com.br

CAREL U.K. Ltd.
www.careluk.co.uk
careluk@careluk.co.uk

CAREL USA L.L.C.
www.carelusa.com
sales@carelusa.com

Affiliated Companies:

CAREL Korea Co. Ltd.
www.carel.co.kr
info@carel.co.kr

CAREL (Thailand) Co. Ltd.
www.carel.co.th
info@carel.co.th

www.carel.com

All trademarks hereby referenced are the property of their respective owners. CAREL is a registered trademark of CAREL S.p.A. in Italy and/or other countries.

© CAREL S.p.A. 2006 all rights reserved

CAREL reserves the right to make modifications or changes to its products without prior warning.